

MODEL	DIAMETER	HEIGHT
HVRC10	9 3/4"	18"

ITEM #: 3BL-35-485RC



READ AND SAVE THESE INSTRUCTIONS

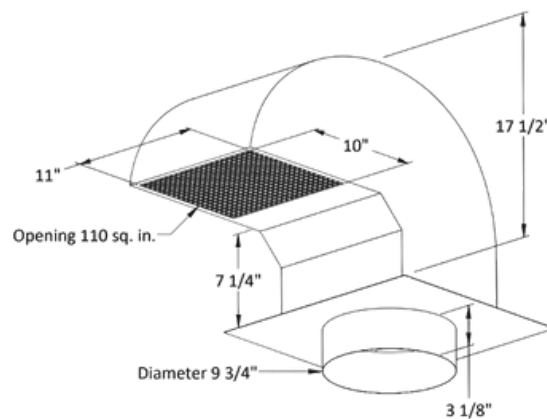
Before beginning installation, please thoroughly read and become familiar with these instructions. Installation and service must be completed by a qualified installer. Failure to properly install this product may void the warranty. Always observe local building codes.

DESCRIPTION:

Trade-Wind® Roof Cap is designed to be installed as a termination of a 10" round duct run from either a Trade-Wind® indoor ventilation product or our outdoor BBQ Hood or BBQ Liner.

INSTALLATION DETAILS:

The Roof Cap has a 9 3/4" round duct collar for attaching duct to the roof cap. Be sure and secure duct to roof cap collar using 3 or 4 equally spaced sheet metal screws along with the metal foil duct tape. Use roofing industry standard procedures for attaching roof cap flashing to sub roof material and weather proofing. Trade-Wind highly recommends installation of the roof cap by a roofing professional to insure proper installation.



For more information, please contact your dealer or your TRADE-WIND® representative.

800 WEST GRANT STREET
 PHOENIX, AZ 85007
 1-800-955-5737
 602-900-8500
T-WUSA.COM