

PERFORMANCE · QUALITY · CUSTOMER SERVICE

INDUSTRY LEADING PERFORMANCE

- 1200 CFM internal blower in 36", 42", and 48" models
- 2300 CFM internal blowers in 54", 60", 66", and 72" models
- Optional in-line blower delivers 1266 CFM
- Easy conversion to horizontal ducting

OPTIMAL SMOKE CAPTURE AREA

- Full grill coverage of 32" front to back
- 24" tall for increased capture area
- Double bank of S/S baffle filters for better capture

ENDURING QUALITY

- Commercial grade stainless steel (#304 grade) and galvanized steel construction

DISTINCTIVE DESIGN

- Straight-sided hood shape with optional telescopic duct cover to 10' ceiling
- Optional telescopic 12' ceiling duct cover

EASY CLEANING

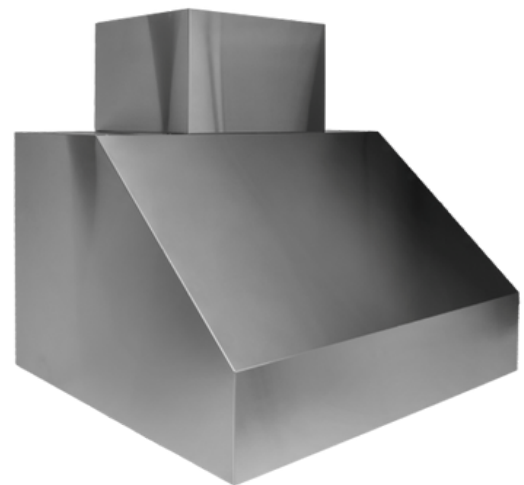
- Dishwasher-safe commercial-style baffle filters with 2 easy-grip handles
- Detergent inlet holes and grease exit holes in baffle filters for superior dishwasher cleaning

EASE OF OPERATION

- 3-speed blower control (internal blower models)
- Variable blower control (in-line/remote models)
- Dimmable 50-watt halogen lights
- Slip-resistant control knobs



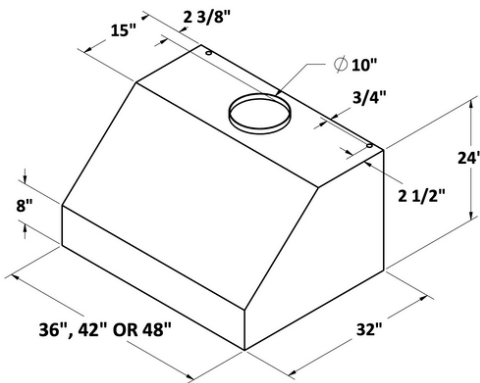
*SHOWN WITH OPTIONAL CUSTOM DUCT COVER



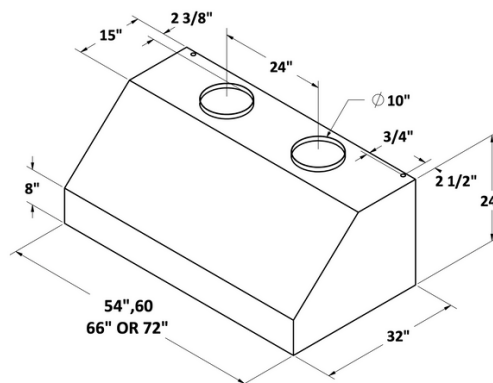
*SHOWN WITH OPTIONAL 18" WIDE DUCT COVER



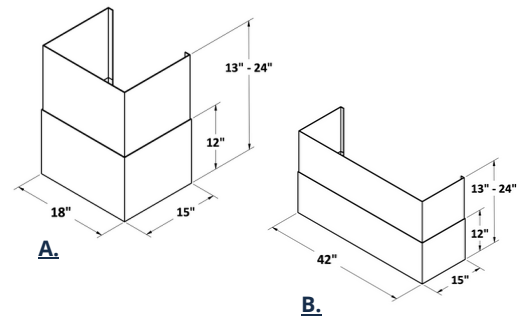
MODEL	DRAWING BELOW	FRONT TO BACK	WIDTH	COLOR	CFM	3-SPEED INTERNAL BLOWER	IN-LINE OR REMOTE BLOWER	HALOGEN LIGHTS	S/S BAFFLE FILTERS	CONVERTIBLE DUCTING	DUCT COLLAR	DIMMABLE LIGHT CONTROL
S7236CD	A	32"	36"	S/S			✓	2	✓	✓	10"	✓
S723612CD	A	32"	36"	S/S	1200	✓		2	✓	✓	10"	✓
S7242CD	A	32"	42"	S/S			✓	2	✓	✓	10"	✓
S724212CD	A	32"	42"	S/S	1200	✓		2	✓	✓	10"	✓
S7248CD	A	32"	48"	S/S			✓	3	✓	✓	10"	✓
S724812CD	A	32"	48"	S/S	1200	✓		3	✓	✓	10"	✓
S7254CD	B	32"	54"	S/S			✓	3	✓	✓	2 X 10"	✓
S725423CD	B	32"	54"	S/S	2300	✓		3	✓	✓	2 X 10"	✓
S7260CD	B	32"	60"	S/S			✓	4	✓	✓	2 X 10"	✓
S726023CD	B	32"	60"	S/S	2300	✓		4	✓	✓	2 X 10"	✓
S7266CD	B	32"	66"	S/S			✓	4	✓	✓	2 X 10"	✓
S726623CD	B	32"	66"	S/S	2300	✓		4	✓	✓	2 X 10"	✓
S7272CD	B	32"	72"	S/S			✓	4	✓	✓	2 X 10"	✓
S727223CD	B	32"	72"	S/S	2300	✓		4	✓	✓	2 X 10"	✓



A. RANGE HOODS (36", 42", 48")

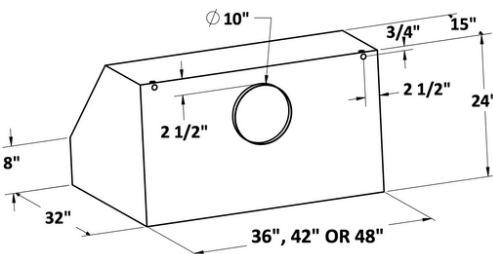


B. RANGE HOODS (54", 60", 66", 72")

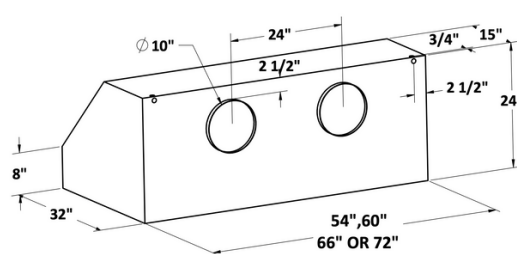


DUCT COVERS: MODEL #: **A.** DC7201S; **B.** DC7201D

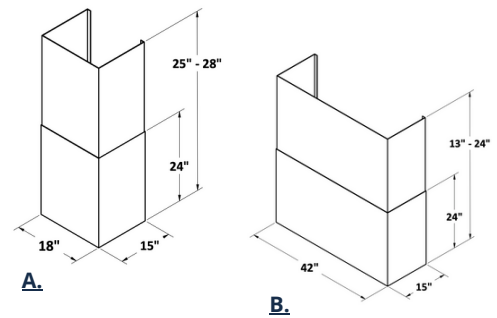
*Sold separately for ceilings 9' to 10'



A. REAR OPTION CONVERSION



B. REAR OPTION CONVERSION



DUCT COVERS: MODEL #: **A.** DC7200S; **B.** DC7200D

*Sold separately for ceilings 10' to 12'



800 WEST GRANT STREET
PHOENIX, AZ 85007
1-800-955-5737
602-900-8500
T - W U S A . C O M



TRADE-WIND Manufacturing, LLC has a policy of continuous improvements and reserves the right to modify (at any time without notice) any or all of its products, features, designs, components and specifications. For further information on installation and wiring, see the installation instructions included with the product or visit us on the web.

